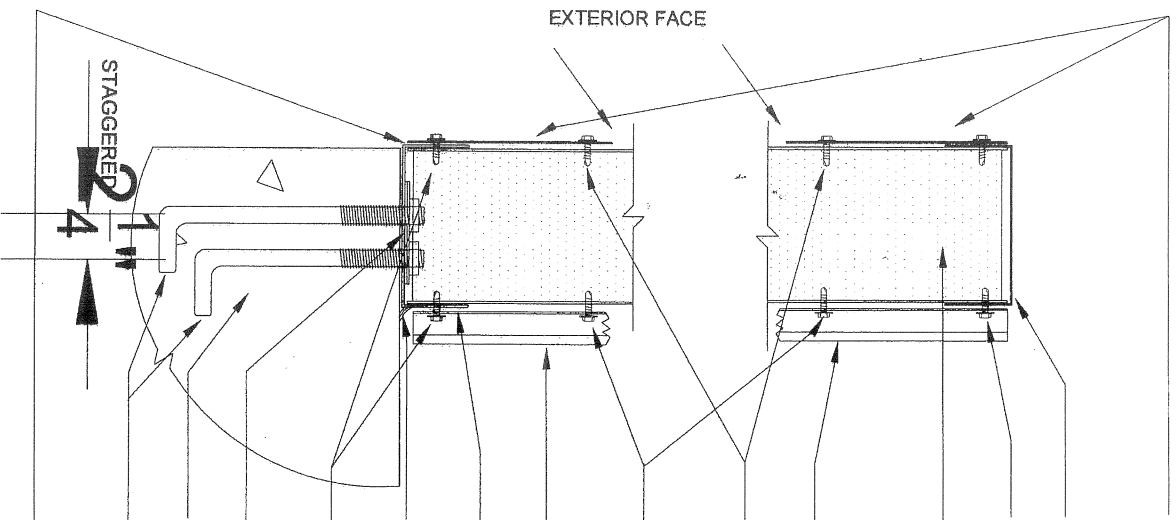


Appendix D :
Test Data



1 1/2" WIDE X 18ga GALV. STEEL STRAP
FULL HEIGHT OF WALL SET
4" FROM SHEAR WALL & BOTH SIDES OF
ALL WALL OPENINGS

4" x .18ga GALV. STEEL
RECEIVER CHANNEL OR EQUAL

#8 x 3/4" S.M.S @ 6" O.C. EACH
SIDE, 2 @ HAT CHANNEL

4"x26 ga. WHITE PREPAINTED
GALV. STEEL SIPS PANEL
MIN. 1lb EPS FOAM CORE

(R4.25 PER INCH OF THICKNESS) (R16)
HAT CHANNEL 25 GA. MIN. FULL HEIGHT OF
WALL AT EACH SEAM (SEE NOTE #1)

#8 x 3/4" S.M.S @ 6" O.C. FOR STRAP, 2
EACH AT TOP WALL CAP & 2 EACH AT
BOTTOM RECEIVER CHANNEL

#8 x 3/4" S.M.S
@ 6" O.C. EACH SIDE HAT CHANNEL

HAT CHANNEL 25 GA. MIN (SEE NOTE #2)

4" RECEIVER CHANNEL 18ga
GALV. STEEL OR EQUAL

CONT. 1/4" BEAD OF
ELASTOMERIC SEALANT

#8 x 3/4" S.M.S
@ 6" O.C. EACH SIDE, (2) @ HAT CHANNEL

PLATE 3/8" x 4" x 3"x16ga GALV. STEEL.

CONC. SLAB

2 - 8"x%³/₈" J BOLT OR EQUAL @ SHEAR
WALL & 1 - 8"x%³/₈" J BOLT OR EQUAL
@ 24" O.C. AND 1FT. FROM CORNERS
AND 1FT. ON EACH SIDE OF DOORS.

1/8" DIA. WEEP HOLES
IN BASE OF CHANNEL
@ 48" O.C.

NOTE:

1. HAT CHANNEL MAYBE
INTERRUPTED BETWEEN 12"
& 24" FROM TOP & BOTTOM
OF WALL

2. HAT CHANNEL AT BOTTOM OF
EACH OPENING AND SET 4" FROM
EDGE, A 12" MIN. LENGTH OF HAT
CHANNEL IS REQUIRED

4" SHEAR WALL DETAIL

4"x26 ga. WHITE PREPAINTED
GALV. STEEL SIPS PANEL
MIN. 1lb EPS FOAM CORE
(R4 PER INCH OF THICKNESS)

4" WALL UPLIFT DETAIL

P. O. Box 754, East
Hightower Trail
Social Circle, Georgia
30025-0567

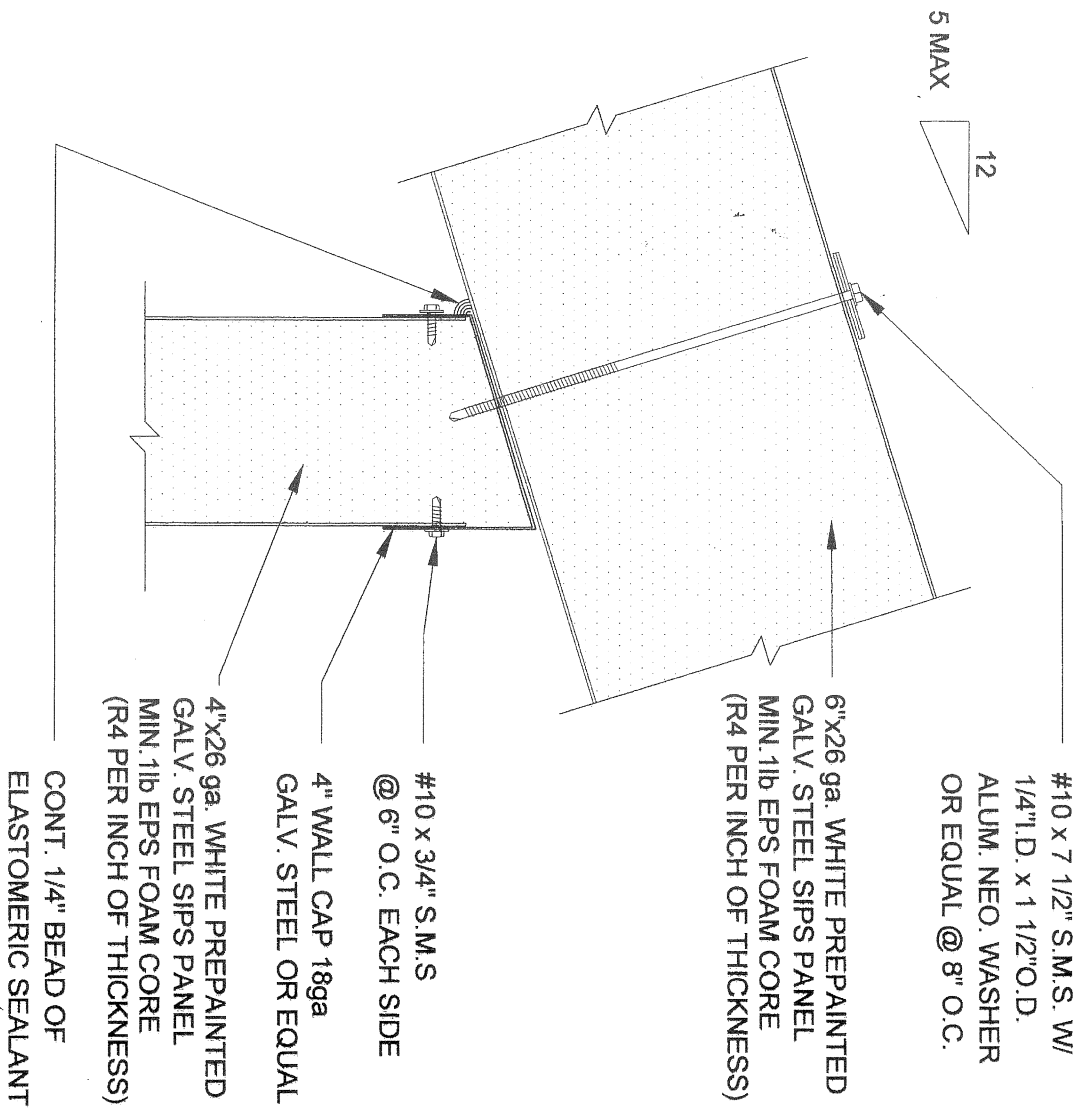
voice: (770) 464-2903
whats: (800) 241-6167
fax: (770) 464-2221



Precision
Foam
Fabricators

DRWG.#

A1



#10 x 7 1/2" S.M.S. W/
 1/4" I.D. x 1 1/2" O.D.
 ALUM. NEO. WASHER
 OR EQUAL @ 8" O.C.

6"x26 ga. WHITE PREPAINTED
 GALV. STEEL SIPS PANEL
 MIN. 1lb EPS FOAM CORE
 (R4 PER INCH OF THICKNESS)

#10 x 3/4" S.M.S.
 @ 6" O.C. EACH SIDE

4" WALL CAP 18ga
 GALV. STEEL OR EQUAL

4"x26 ga. WHITE PREPAINTED
 GALV. STEEL SIPS PANEL
 MIN. 1lb EPS FOAM CORE
 (R4 PER INCH OF THICKNESS)

CONT. 1/4" BEAD OF
 ELASTOMERIC SEALANT

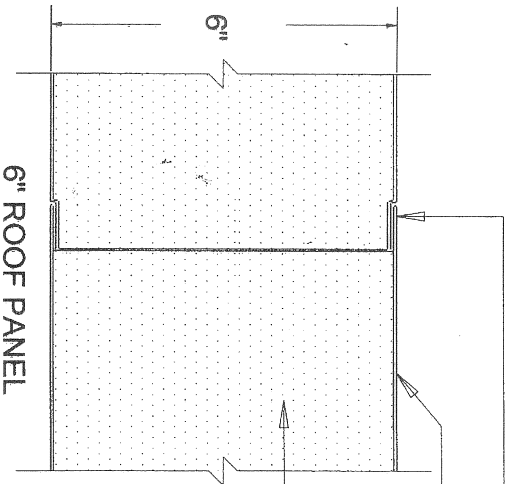
UPLIFT CONNECTION DETAIL

P.O. Box 754 East
 Hightower Trail
 Social Circle, Georgia
 30025-0567

voice: (770) 464-2603
 Wats: (800) 241-6167
 Fax: (770) 464-2221



DRWG.#
A2



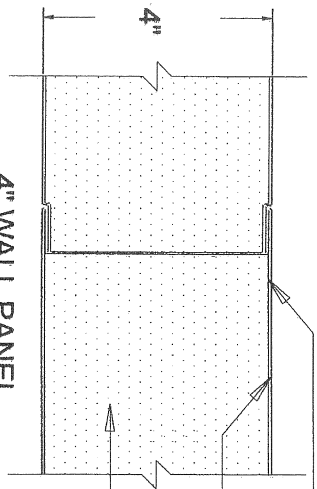
6" ROOF PANEL

ROLL FORMED FRICTION LOCK

26 ga. WHITE PREPAINTED GALV. STEEL

MIN. 1lb EPS FOAM CORE (R4.25 PER INCH OF THICKNESS)

MANUFACTURED ACCORDING TO ASTM E-72 STANDARDS Lamination W/ Voracor Adhesives (Dow Chemical)
Part A - CE130 ISO
Part B - Cs1075 Polyol



4" WALL PANEL

ROLL FORMED FRICTION LOCK

26 ga. WHITE PREPAINTED GALV. STEEL

MIN. 1lb EPS FOAM CORE (R4.25 PER INCH OF THICKNESS)

PANEL DESCRIPTION
4" & 6" PANEL

P. O. Box 754 East
Hightower Trail
Social Circle, Georgia
30025-0567

voice: (770) 464-2603
Matts: (800) 241-6167
Fax: (770) 464-2221



DRWG: #
A3

ROOF FINISH & GUTTER
BY OTHERS.

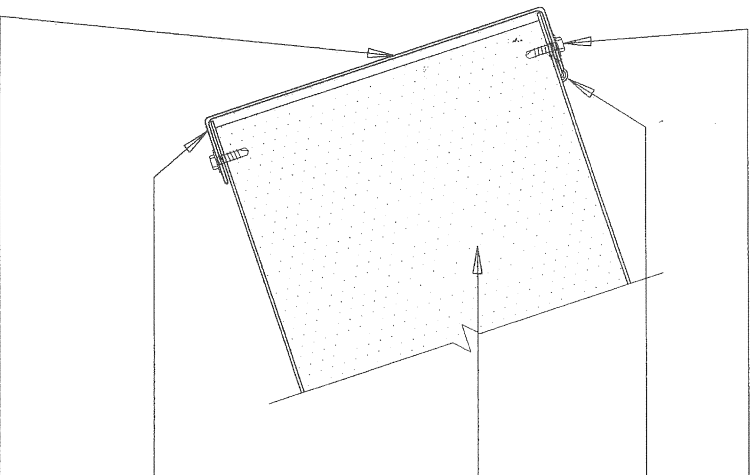
#8 x 9/16" S.M.S
@ 8" O.C. EACH SIDE

CONT. 1/4" BEAD OF
ELASTOMERIC SEALANT

6"x26 ga. WHITE PREPAINTED
GALV. STEEL SIPS PANEL
MIN. 1lb EPS FOAM CORE
(R4.25 PER INCH OF THICKNESS)

1/8" DIA. WEEP HOLES
IN BASE OF FASCIA
TRIM @ 48" O.C.

CONT. 6" x .24ga WHITE
PREPAINTED GALV. STEEL
C-CHANNEL FASCIA OR EQUAL.



PANEL ROOF FASCIA

PANEL ROOF FASCIA

P.O. Box 754 East
Hightower Trail
Social Circle, Georgia
30025-0567

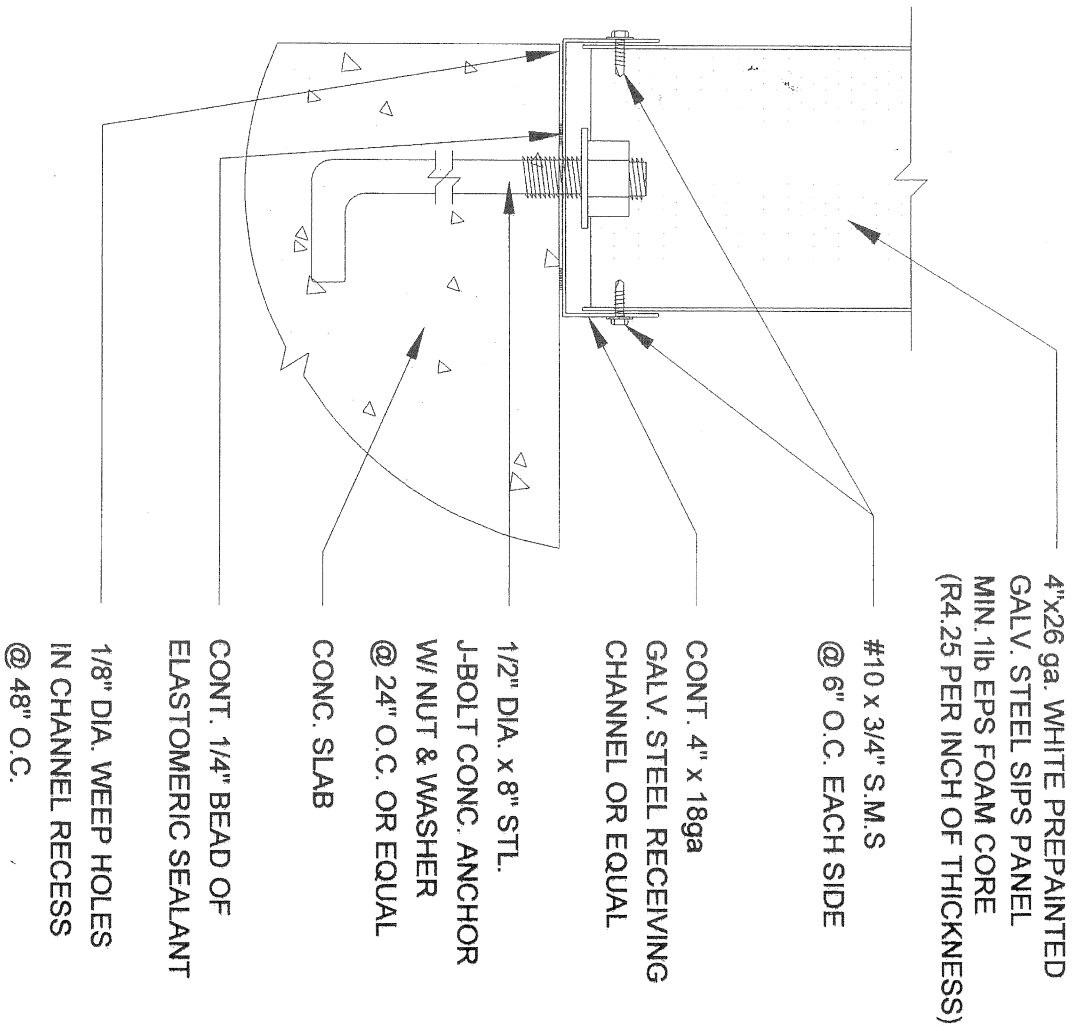
Voice: (770) 464-2603
Mails: (800) 241-6167
Fax: (770) 464-2221

PFF

Precision
Foam
Fabricators

DRWG #

A4



4"x26 ga. WHITE PREPAINED
 GALV. STEEL SIPS PANEL
 MIN. 1lb EPS FOAM CORE
 (R4.25 PER INCH OF THICKNESS)

#10 x 3/4" S.M.S
 @ 6" O.C. EACH SIDE

CONT. 4" x 18ga
 GALV. STEEL RECEIVING
 CHANNEL OR EQUAL

1/2" DIA. x 8" STL.
 J-BOLT CONC. ANCHOR
 W/ NUT & WASHER
 @ 24" O.C. OR EQUAL
 CONC. SLAB

CONT. 1/4" BEAD OF
 ELASTOMERIC SEALANT
 1/8" DIA. WEEP HOLES
 IN CHANNEL RECESS
 @ 48" O.C.

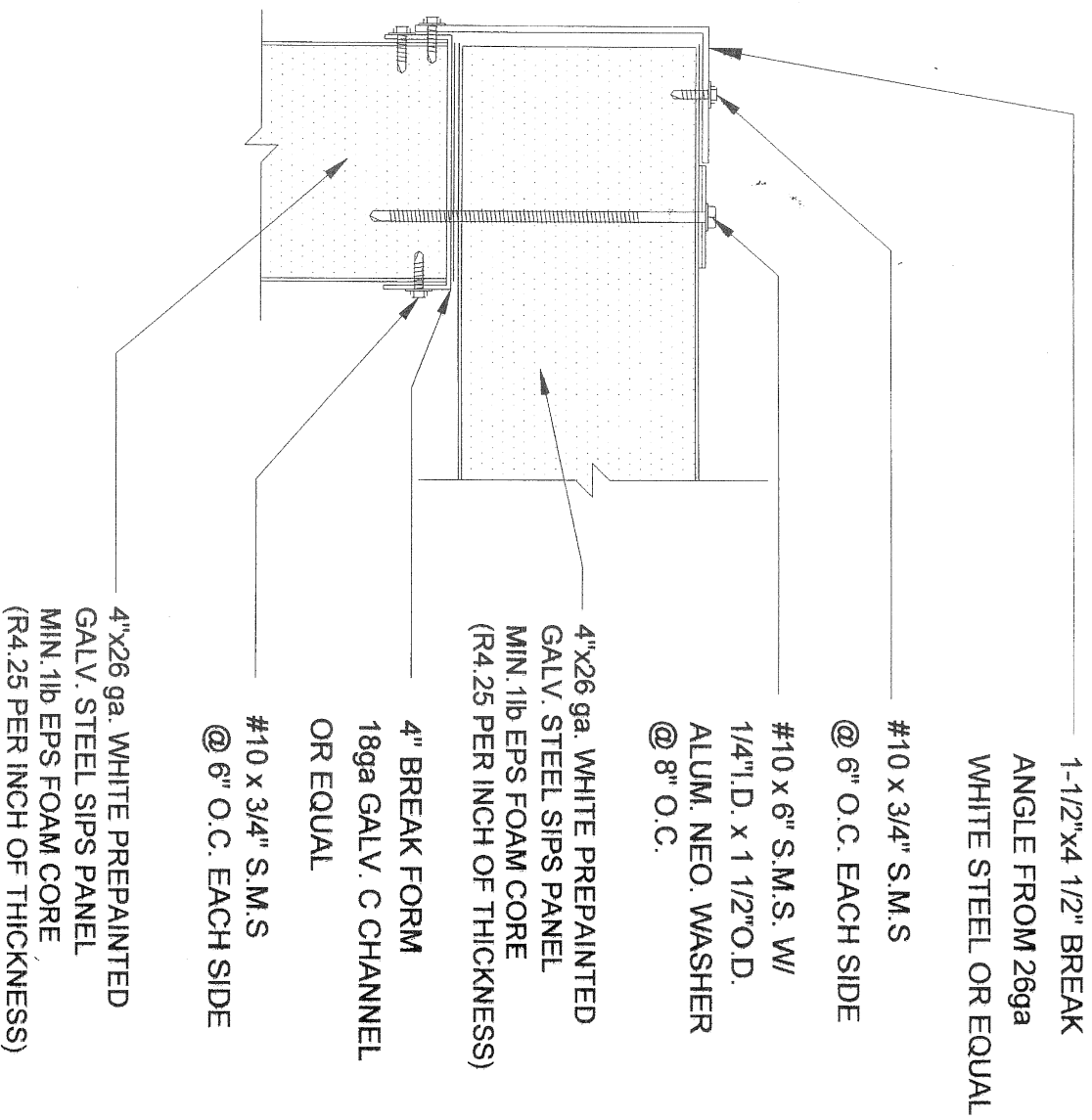
**RECEIVING CHANNEL
 PANEL WALL TO SLAB**

P.O. Box 754, East
 Hightower Trail
 Social Circle, Georgia
 30025-0567

voice: (770) 464-2803
 faxes: (800) 241-6167
 Fax: (770) 464-2221



DRWG.#
A5



**SIPS COMPOSIT PANEL
WALL BUTT CORNER**

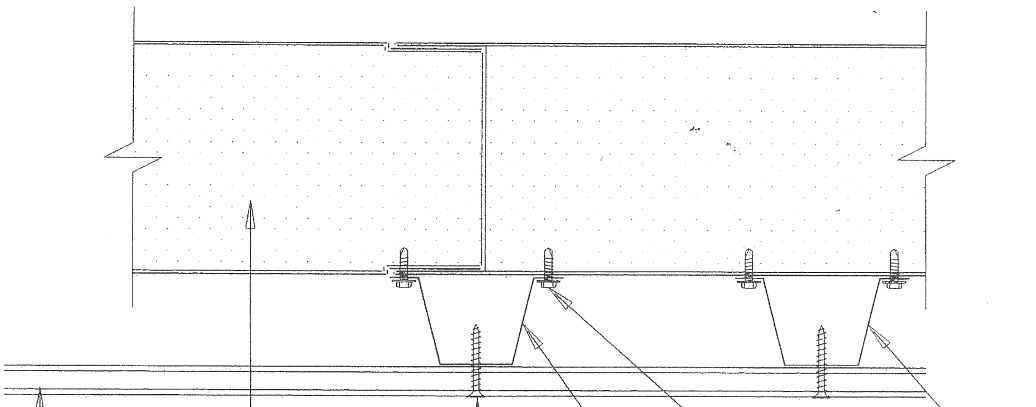
P. O. Box 754 East
Hightower Trail
Social Circle, Georgia
30025-0567

voice: (770) 464-2803
Wats: (800) 241-6167
Fax: (770) 464-2221



DRWG.#

A6



1 1/2" GALV. METAL
FURRING CHANNEL
@ EACH PANEL JOINT
AND @ 16" O.C., TYP.

#8 x 9/16" S.M.S.
@ 24" O.C. VERT.
EACH SIDE, TYP.

1 1/2" GALV. METAL
FURRING CHANNEL
@ EACH PANEL JOINT
AND @ 16" O.C., TYP.

#8 x 1 1/4" DRYWALL
SCREW @ 12" O.C.
VERTICALLY, TYP.

4"x26ga. WHITE PREPAINTED
GALV. STEEL SIPS PANEL
MIN. 1lb EPS FOAM CORE
(R4.25 PER INCH OF THICKNESS)

1/2" GYPSUM WALL BD.
OR 5/8" TYPE X GYPSUM
WALL BD. FOR 1 HOUR
FIRE RATING

**METAL FURRING CHANNELS
TO PANEL WALL (PLAN)**

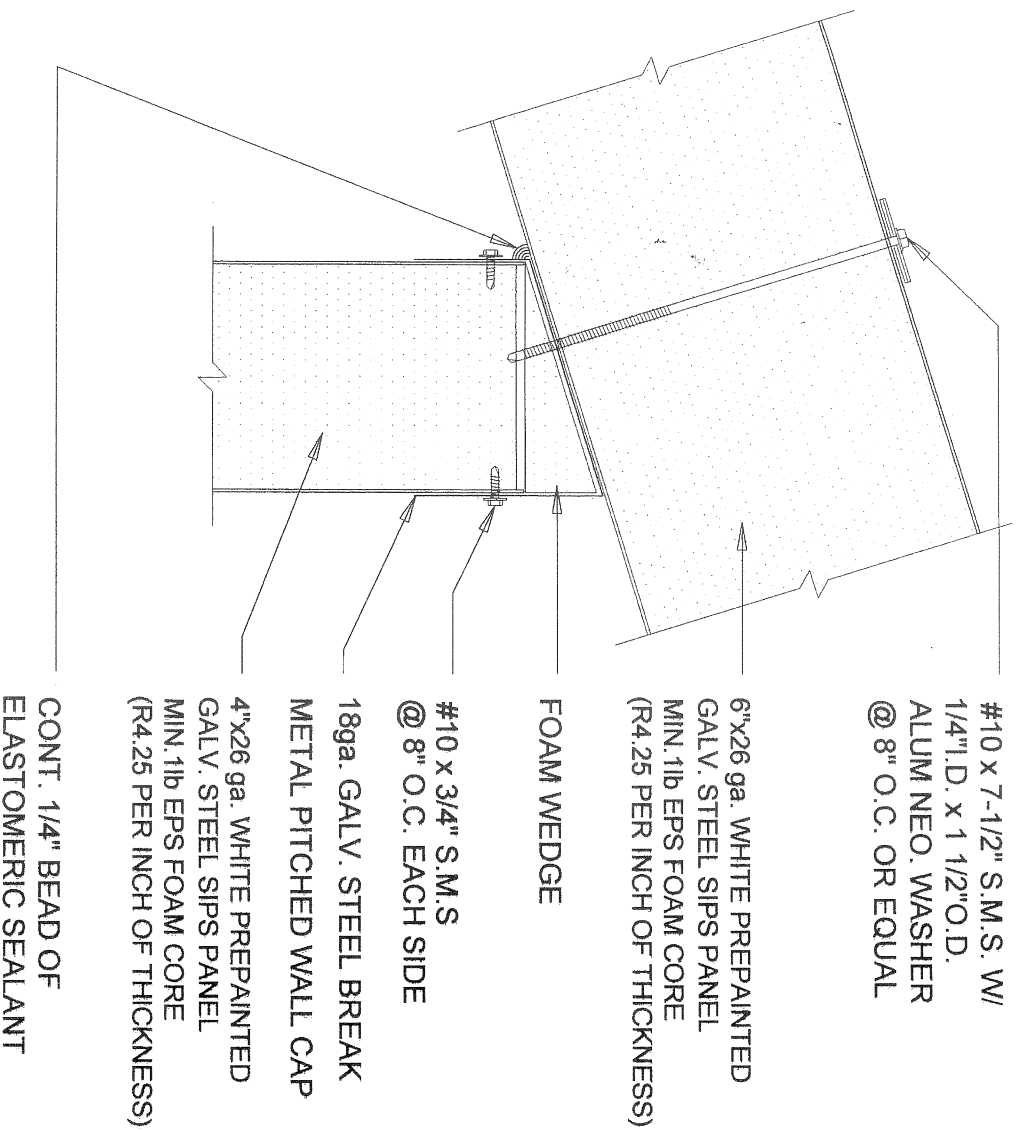
P.O. Box 754, East
Hightower Trail
Social Circle, Georgia
30025-0567

voice: (770) 464-2803
Meds: (800) 241-6167
Fax: (770) 464-2221



DRWG.#

A7



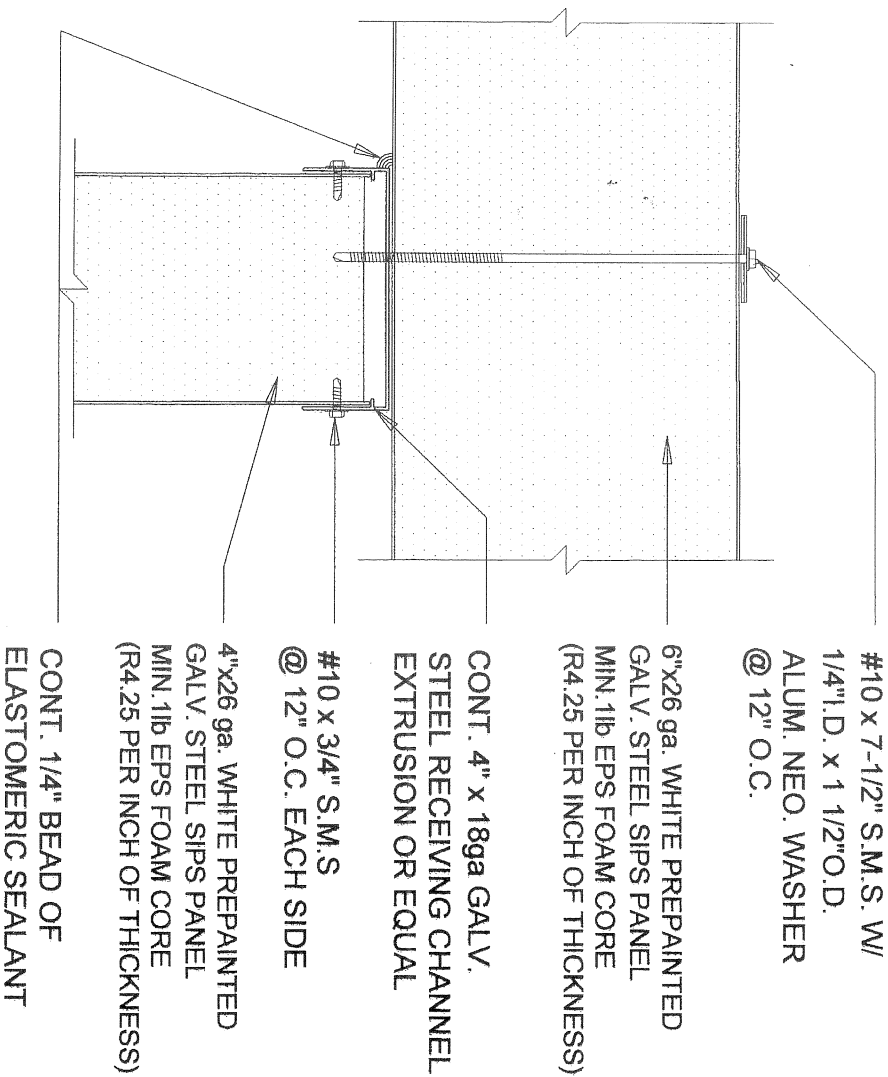
PANEL WALL TO
PANEL ROOF

P. O. Box 754, East
Hightower Trail
Social Circle, Georgia
30025-0567

voice: (770) 464-2603
Mails: (800) 241-6167
Fax: (770) 464-2221

PFF
Precision
Foam
Fabricators

DRWG.#
A8



PANEL WALL TO PANEL
ROOF (GABLE END)

P.O. Box 754, East
Hightower Trail
Social Circle, Georgia
30025-0567

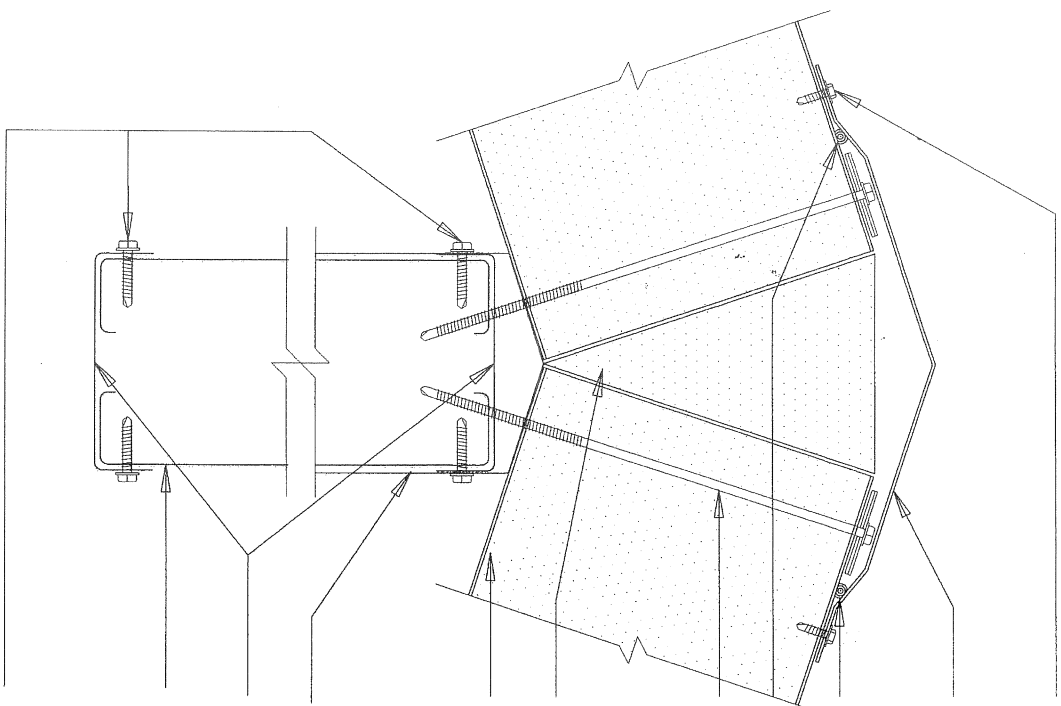
voice: (770) 464-2803
Wats: (800) 241-6167
Fax: (770) 464-2221

PFF

Precision
Foam
Fabricators

DRWG.#

A9



#10 x 3/4" S.M.S.
@ 12" O.C. EACH SIDE

BREAK METAL RIDGE
CAP

CONT. 1/4" BEAD OF
ELASTOMERIC SEALANT

#10 x 8" S.M.S. W/
1/4" I.D. x 1 1/2" O.D.
ALUM. NEO. WASHER
@ 8" O.C.

FOAM WEDGE

26 ga. WHITE PREPAINTED
GALV. STEEL SIPS PANEL
MIN. 1lb EPS FOAM CORE
(R4.25 PER INCH OF THICKNESS)

18ga. GALV. STEEL RIDGE BEAM CAP

CONT. 3 5/8" x 18ga.
GALV. MTL. RUN. TRACK

GALV. STL. JOIST/STUD
SITE BUILT BOX BEAM

#10 x 3/4" S.M.S.
@ 12" O.C. EACH SIDE

**PANEL ROOF TO LIGHT
GAUGE STL. RIDGE BEAM**

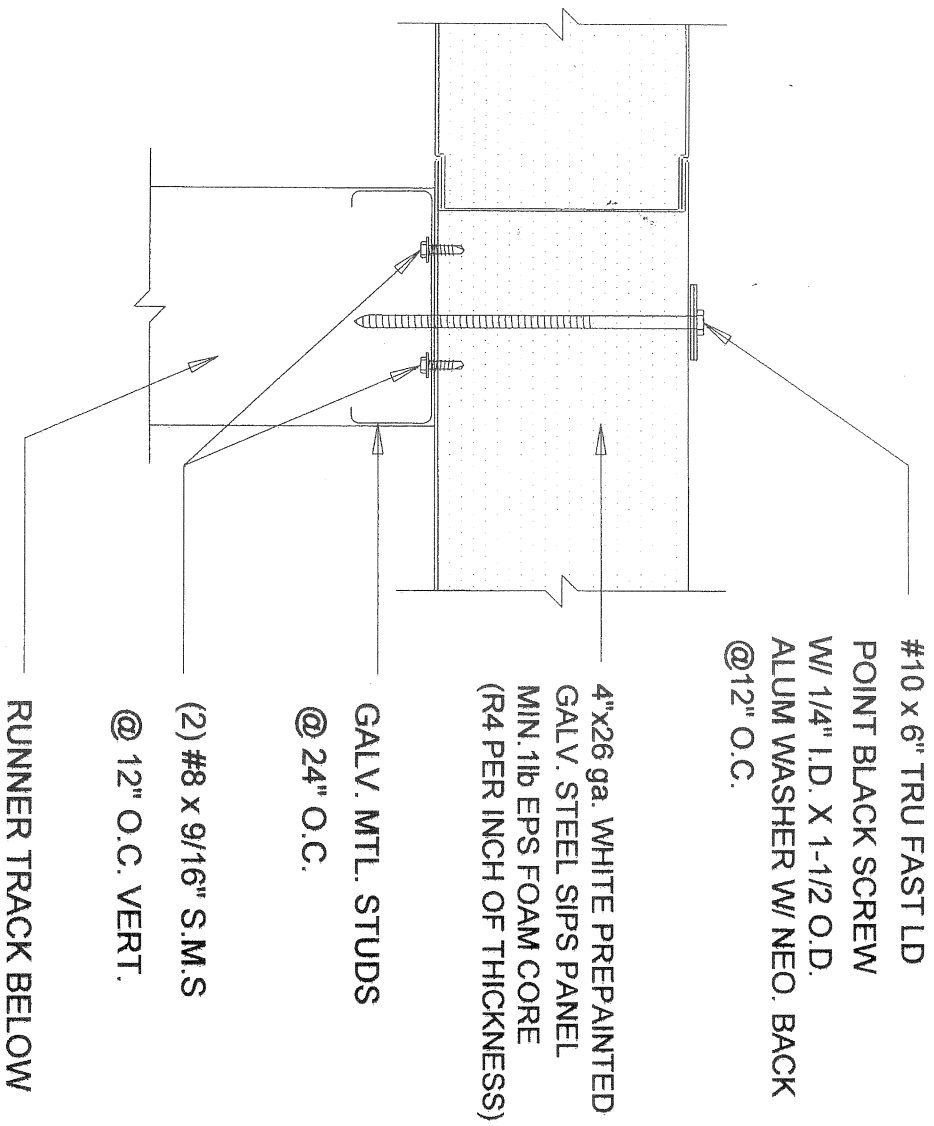
P.O. Box 754, East
Hightower Trail
Social Circle, Georgia
30025-0567

voice: (770) 464-2803
Walters: (800) 241-6167
Fax: (770) 464-2221

PPF
Precision
Foam
Fabricators

DRWG.#

B1



#10 x 6" TRU FAST LD
 POINT BLACK SCREW
 W/ 1/4" I.D. X 1-1/2 O.D.
 ALUM WASHER W/ NEO. BACK
 @12" O.C.

4"x26 ga. WHITE PREPAINTED
 GALV. STEEL SIPS PANEL
 MIN. 1lb EPS FOAM CORE
 (R4 PER INCH OF THICKNESS)

GALV. MTL. STUDS
 @ 24" O.C.

(2) #8 x 9/16" S.M.S
 @ 12" O.C. VERT.

RUNNER TRACK BELOW

**STUD WALL TO PANEL WALL
 WALL (PLAN)**

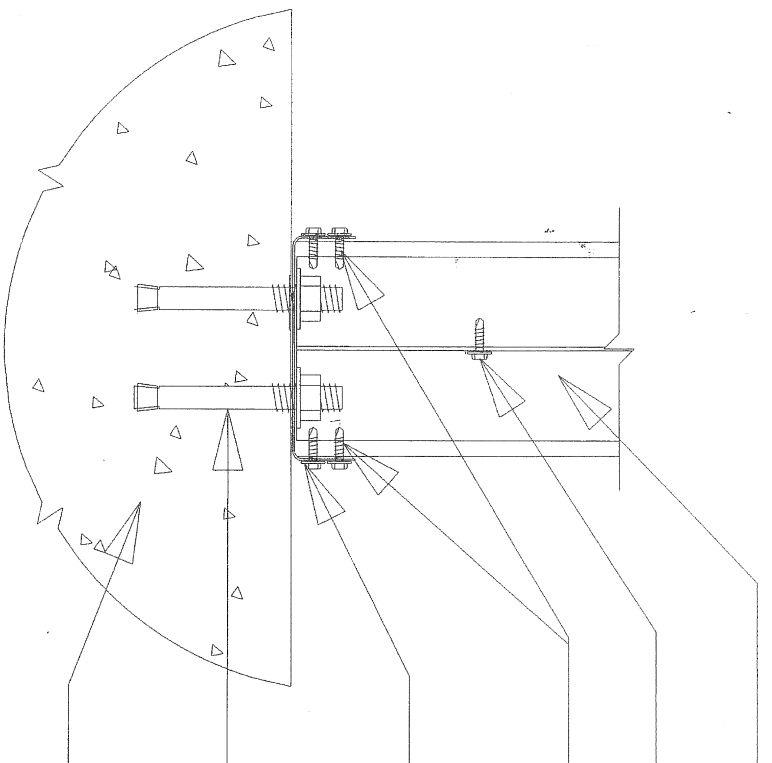
P.O. Box 754, East
 Hightower Trail
 Social Circle, Georgia
 30025-0567

voice: (770) 464-2803
 faxes: (800) 241-6167
 Fax: (770) 464-2221



DRWG.#

B2



2ea 3 5/8" x 18ga. GALV.
MTL. STUDS BACK TO BACK

(2) #8 x 9/16" S.M.S
@ 6" O.C. STAGGERED

(2) #8 x 9/16" S.M.S
EACH SIDE, PER STUD

3 5/8" x18ga.x12"
GALV. MTL. RUNNER
TRACK

(2) 3/8" x 3" CONC.
WEDGE ANCHOR OR
EQUAL, EACH POST

CONC. SLAB (3000 PSI)

**LIGHT GAUGE STEEL
STUD POST TO SLAB**

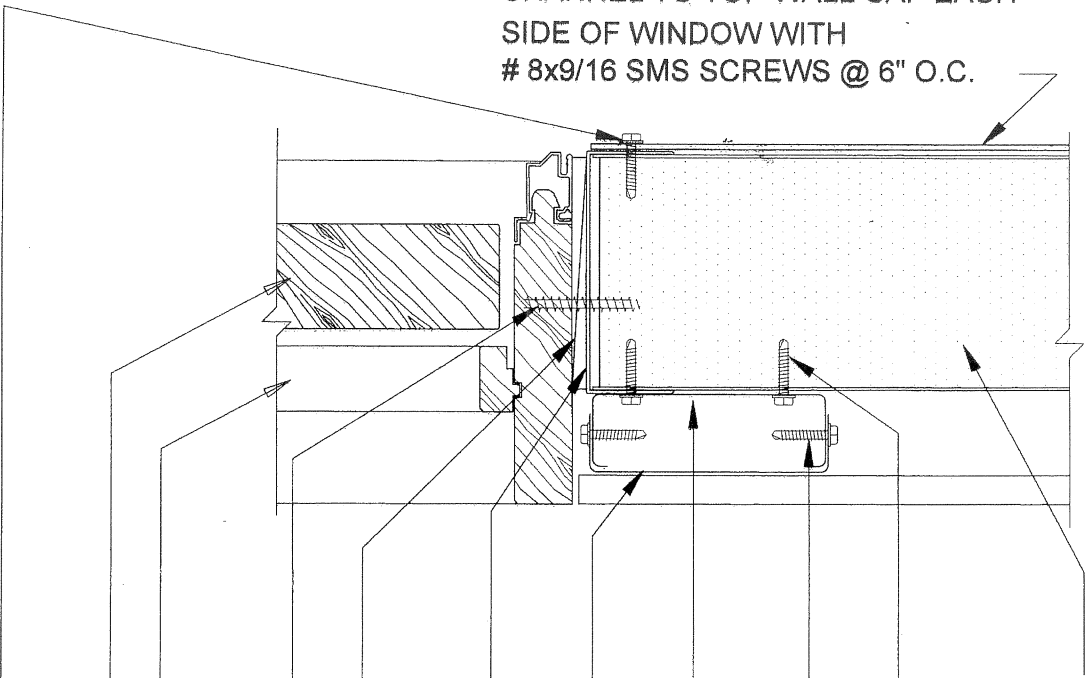
P.O. Box 754, East
Hightower Trail
Social Circle, Georgia
30025-0567

voice: (770) 464-2603
Mails: (800) 241-6167
Fax: (770) 464-2221



DRWG.#
B3

NOTE: 2"x18ga STRAP FROM BASE CHANNEL TO TOP WALL CAP EACH SIDE OF WINDOW WITH # 8x9/16 SMS SCREWS @ 6" O.C.



4"x26 ga. WHITE PREPAINTED GALV. STEEL SIPs PANEL MIN. 1lb EPS FOAM CORE (R4.25 PER INCH OF THICKNESS)

(2) #10 x 3/4" S.M.S @ 12" O.C.

#10 x 3/4" S.M.S @ 12" O.C. EACH SIDE

3-5/8" x 20ga. GALV. STL. STUD

3-5/8" x 20ga. GALV. STL. TRACK

CONT. 4" x 18ga GALV. STEEL RECEIVING CHANNEL EXTRUS. OR EQUAL SHIM SPACE

#10 x 2" S.M.S. @ 12" O.C.

JAMB/THRES. BEYOND PREHUNG DOOR UNIT FASTEN PER MANUF. SPECS.

#10 x 3/4" S.M.S @ 8" O.C. EACH SIDE

**DOOR HEAD / JAM @
PANEL WALL**

P.O. Box 754 East
Hightower Trail
Social Circle, Georgia
30025-0567

voice: (770) 464-2803
Mails: (800) 241-6167
Fax: (770) 464-2221

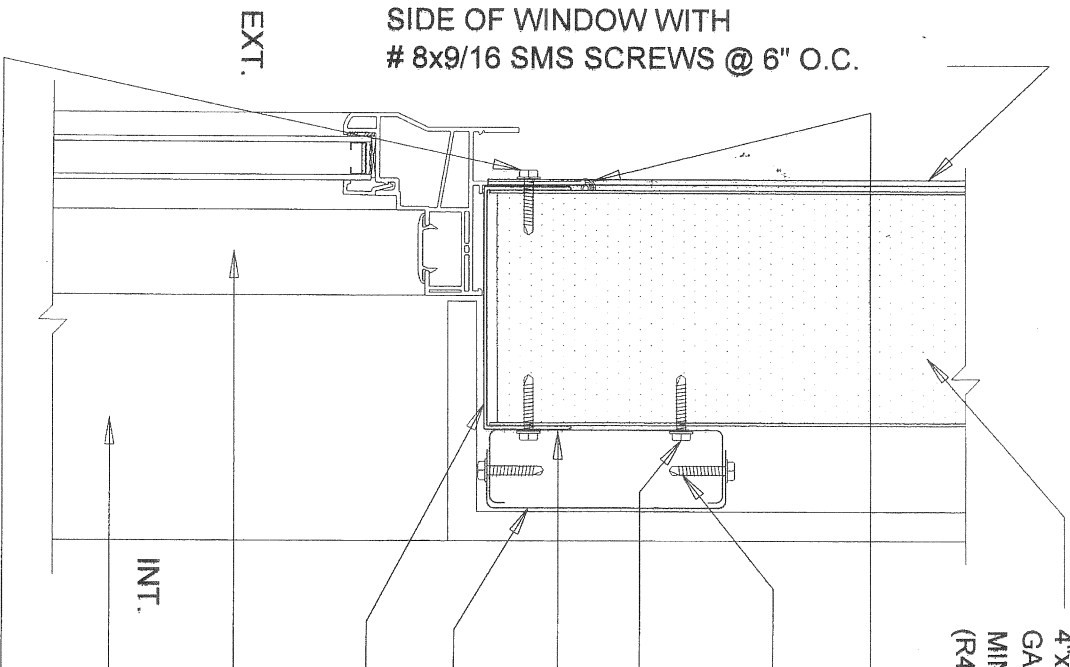
PPF

Precision
Foam
Fabricators

DRWG #

B4

NOTE: 2"x18ga STRAP FROM BASE CHANNEL TO TOP WALL CAP EACH SIDE OF WINDOW WITH # 8x9/16 SMS SCREWS @ 6" O.C.



4"x26 ga. WHITE PREPAINTED GALV. STEEL SIPS PANEL MIN. 1lb EPS FOAM CORE (R4.5 PER INCH OF THICKNESS)

CONT. 1/4" BEAD OF ELASTOMERIC SEALANT

#10 x 3/4" S.M.S @ 12" O.C. EACH SIDE

(2) #10 x 3/4" S.M.S @ 12" O.C.

3-5/8" x 20ga. GALV. STL. STUD

3-5/8" x 20ga. GALV. STL. TRACK

CONT. 4" x 18ga GALV. RECEIVING CHANNEL EXTRUS. OR EQUAL

WINDOW UNIT (FLANGE MOUNT)

HEAD, JAMB OR SILL BEYOND

#10 x 3/4" S.M.S @ 8" O.C. EACH SIDE

WINDOW HEAD / JAMB &
SILL @ PANEL WALL

P. O. Box 754, East
Hightower Trail
Social Circle, Georgia
30025-0567

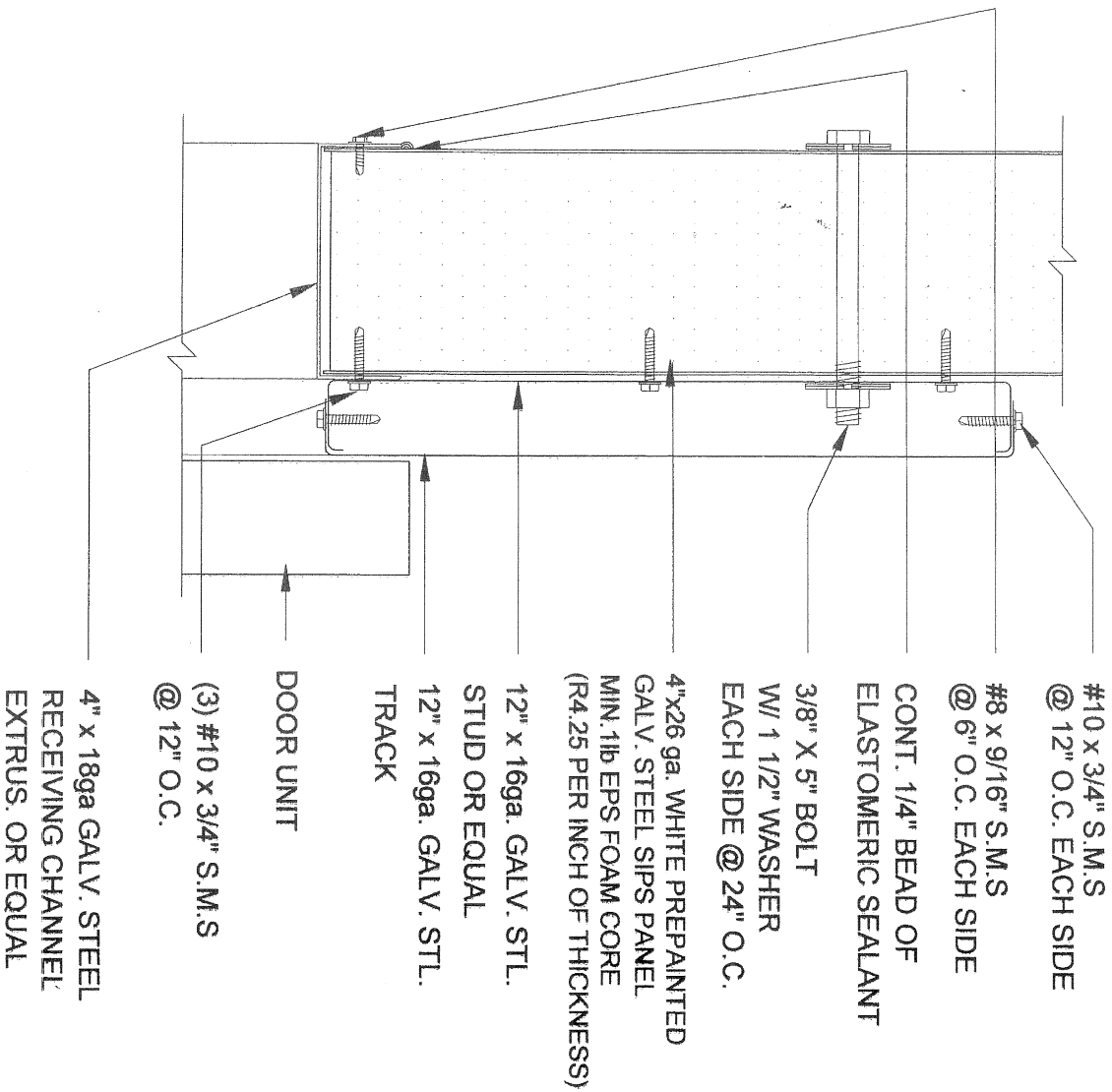
voice: (770) 464-2803
Mails: (800) 241-6167
Fax: (770) 464-2221

PFF

Precision
Foam
Fabricators

DRWG.#

B5



GARAGE DOOR HEADER
 OR LARGE OPENING HEADER
 @ PANEL WALL

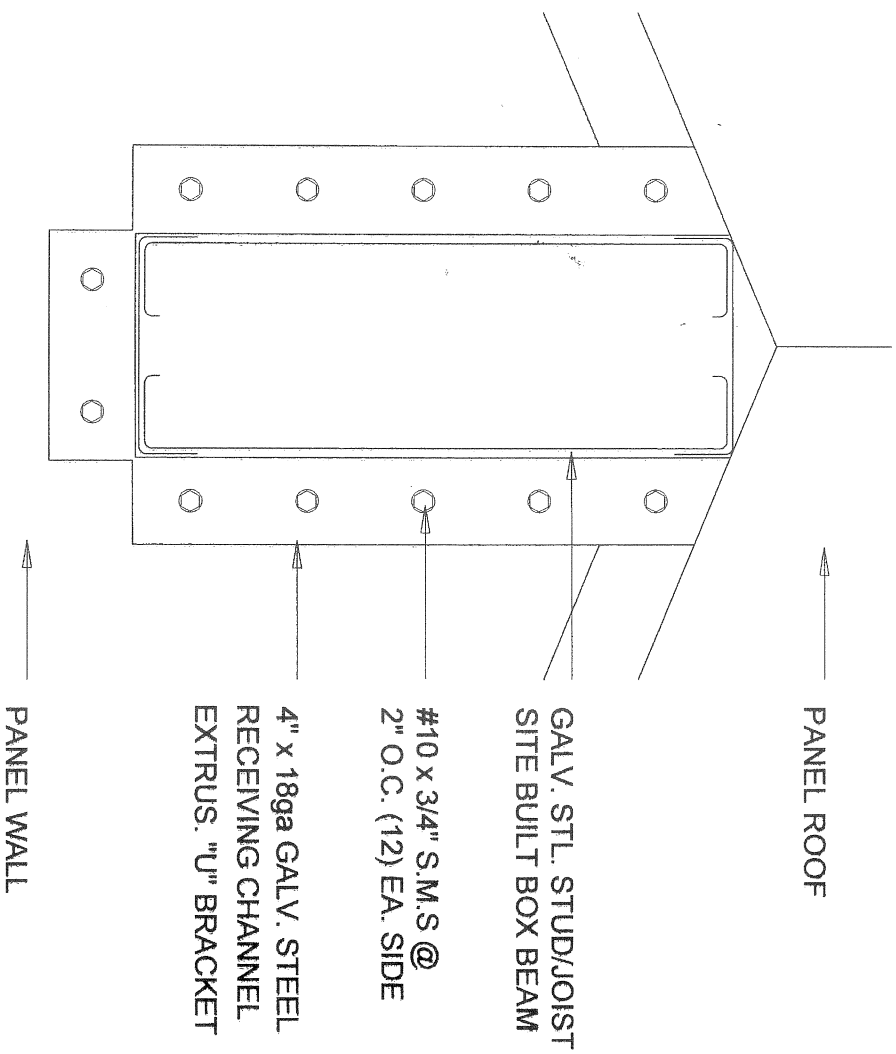
P. O. Box 754 East
 Hightower Trail
 Social Circle, Georgia
 30025-0567

voice: (770) 464-2603
 Mails: (800) 241-6167
 Fax: (770) 464-2221

PFF
 Precision
 Foam
 Fabricators

DRWG.#

B6



**BEAM POCKET IN
PANEL WALL**

P. O. Box 794, East
Hightower Trail
Social Circle, Georgia
30025-0567

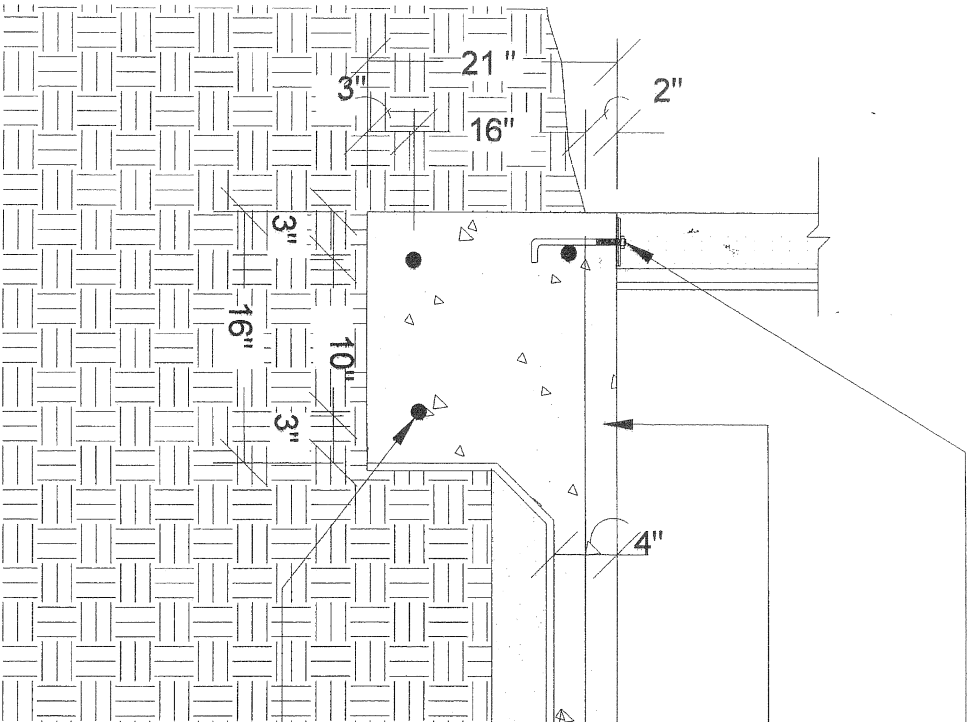
voice: (770) 464-2603
Mails: (800) 241-6167
Fax: (770) 464-2221

PPF

Precision
Foam
Fabricators

DRWG.#

B7



8" x 1/8 J BOLT
@24" O.C. & 12" FROM
CORNERS & DOORS

4" THICKENED EDGE
CONC. SLAB W/ 3000
P.S.I. CONC. W/ 6X6,

10X10 W.W. MESH OR
FIBER MESH CONC.
OVER 6 MIL. VISQ.
VAPOR BARRIER OVER
COMPACTED SAND FILL
OVER TREATED SOIL.

(3) CONT. #5 REINF.
BARS EMBEDDED IN
FOOTING

**FOOTING @
SLAB EDGE**

P. O. Box 754, East
Hightower Trail
Social Circle, Georgia
30025-0567

voice: (770) 464-2603
Mails: (800) 241-6167
Fax: (770) 464-2221

PPF
Precision
Foam
Fabricators

DRWG.#
B8